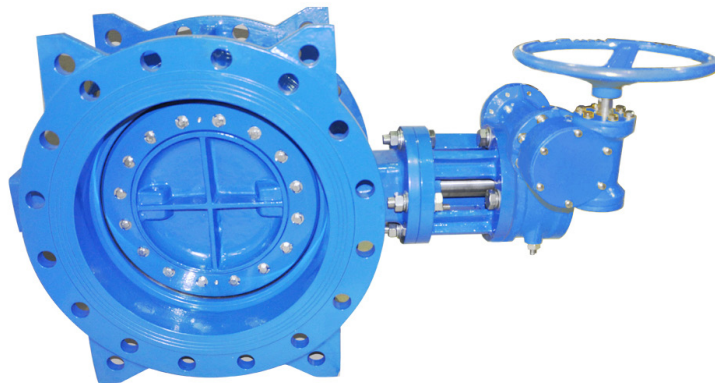


## Double Flanged Butterfly Valve To BS 5155 100mm to 1200mm

Fig. F600



**Mounting between flanges to BS4504  
PN16. Other flanges by request**

**Accessories / Options:**

Geared operation  
Actuator mount - ISO 5211

**Use:**

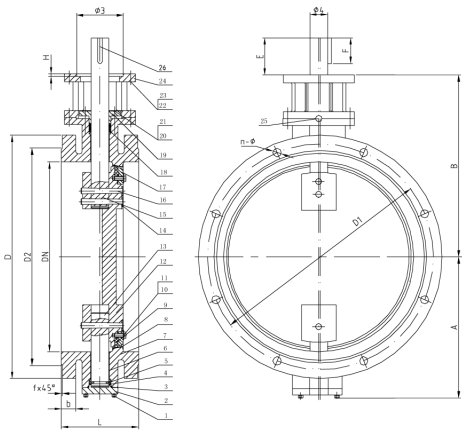
Isolation and throttling duties on clean water systems up to 60 Deg C

**Tests:**

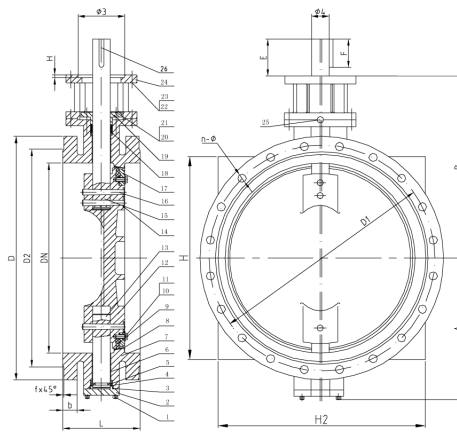
Seat :- 17.6 barg Shell :- 24 barg

Materials	Standard	Options
Body	Ductile Iron	GGG50
Seat	ST. ST.	304
Disc	Ductile Iron	GGG50
Disc Pin	E.P.D.M.	
Stem	ST. ST.	420
O Ring Seal	ST. ST.	416

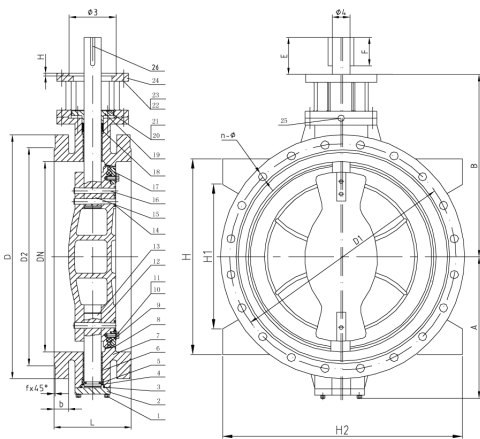
# Double Flanged Butterfly Valve To BS 5155 100mm to 1200mm



DN100-DN250 drawing



DN300-DN500 drawing



DN600-DN1200 drawing

NO.	Key	Material
26	Key	Carbon Steel
25	cylindrical pin	416
24	Connection support	Cl
23	Spring washer	2Cr13
22	Hexagon bolt	304
21	Hexagon nut	304
20	Stud	304
19	Packing gland	Cl
18	"o" Ring	EPDM
17	Gland ring	304
16	Pin	2Cr13
15	Upper Shaft	SS416
14	Cardon fixing ring	2Cr13
13	Lower Shaft	SS416
12	Disc	GGG50
11	Washer	201
10	Hexagon bolt	304
9	Disc Seal Ring	EPDM
8	Body sealing	Copper seal welded/SS304 welded
7	Body	GGG50
6	Bushing	PTFE
5	Open-loop	2Cr13
4	Adjustment Pads	2Cr13
3	"o" Ring	EPDM
2	End cover	Cl
1	Hexagon bolt	304
	Name	Material
	Drawing	EJ INDUSTRY
	Signature/Date	Soft seal butterfly valve double eccentric flange
	Mark Wgt.Ratio	DN100-1200 PN10/16
		Page 1 Total 1

DN	L Long	A	B	f	PN10					PN16					φ1	φ2	N-M	φ3	H	φ4	E	F	K	Key qty	R'	H	H1	H2	Torque	
					D	D1	D2	n-φ	b	D	D1	D2	n-φ	b																
100	190	125	224	3	220	180	158	8-19	20	220	180	158	8-19	20	90	70	4-10	55	2	16	39	30	5	1	45°				750	
125	200	156	266	3	250	210	184	8-19	22	250	210	184	8-19	22	90	70	4-10	55	2	16	39	30	5	1	45°				1500	
150	210	168	283	3	285	240	212	8-23	22	285	240	212	8-23	22	125	102	4-12	70	4	20	47	35	6	1	90°				500	
200	230	220	311	3	340	295	268	8-23	24	340	295	268	12-23	24	125	102	4-12	70	4	25	47	35	8	1	90°				500	
250	250	224	364	3	395	350	320	12-23	26	405	355	320	12-28	26	175	140	4-18	100	4	30	50	45	8	1	90°				1200	
300	270	280	430	4	445	400	370	12-23	26	460	410	370	12-28	28	210	165	4-22	130	4	34	50	45	10	1	90°				2500	
350	290	315	450	4	505	460	430	16-23	26	520	470	430	16-28	30	210	165	4-22	130	4	40	50	45	12	1	90°				2500	
400	310	333	484	4	565	515	482	16-28	26	580	525	482	16-31	32	210	165	4-22	130	4	45	50	45	14	1	90°	505/520	505/520		2500	
450	330	380	525	4	615	565	532	20-28	28	640	585	548	20-31	35	210	165	4-22	130	4	45	50	45	14	1	90°	540/565	540/565		2500	
500	350	428	550	4	670	620	585	20-28	28	715	650	609	20-34	38	210	165	4-22	130	4	52	70	60	16	1	90°	575/630	575/630		4000	
600	390	448	640	5	780	725	685	20-31	30	840	770	720	20-37	40	300	254	8-18	200	5	55	90	70	16	2	22.5°	675/730	675/730		8000	
700	430	500	698	5	895	840	800	24-31	33	910	840	794	24-37	42	300	254	8-18	200	5	65	90	70	18	2	22.5°	660	494	898/913		8000
800	470	595	744	5	1015	950	905	24-34	36	1025	950	901	24-40	45	300	254	8-18	200	5	70	100	80	20	2	22.5°	700	548	1018/1028		8000
900	510	635	780	5	1115	1050	1005	28-34	39	1125	1050	1001	28-40	47	300	254	8-18	200	5	80	100	80	20	2	22.5°	840	664	1118/1128		15000
1000	550	708	905	5	1230	1160	1110	28-37	41	1255	1170	1112	28-43	50	350	298	8-22	230	5	92	146	130	25	2	22.5°	900	718	1233/1258		25000
1200	630	820	1018	5	1455	1380	1330	32-40	45	1485	1390	1328	32-49	55	350	298	8-22	230	5	100	146	130	28	2	22.5°	1210/1230	1210/1230		25000	